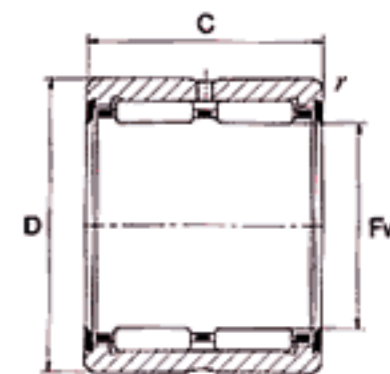
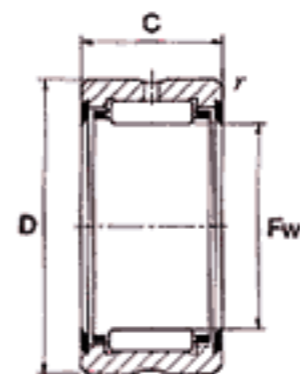


MACHINED RING NEEDLE ROLLER BEARINGS

SEALED, WITHOUT INNER RING



RNA49 UU, RNA69 UU (Fw ≤ 35)

RNA69 UU

JNS: RNA49 UU, RNA69 UU SEALED TYPE

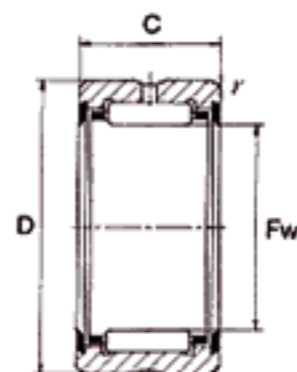
| Fw | Dimensions (mm) | | | Basic dynamic load rating Cr N | Basic static load rating Cor N | Limiting speed rpm ²⁾ | Designation | | Weight g |
|----|-----------------|----|--------------------|--------------------------------------|--------------------------------------|-------------------------------------|--------------|--------------|-------------|
| | D | C | r_{min}^1 | | | | RNA 49 UU | RNA 69 UU | |
| 14 | 22 | 13 | 0.3 | 8 000 | 8 500 | 14 000 | RNA 4900 UU | — | 16 |
| 16 | 24 | 13 | 0.3 | 8 400 | 9 300 | 12 000 | RNA 4901 UU | — | 18 |
| | 24 | 22 | 0.3 | 15 600 | 20 400 | | — | RNA 6901 UU | |
| 20 | 28 | 13 | 0.3 | 9 600 | 11 700 | 9 500 | RNA 4902 UU | — | 22 |
| | 28 | 23 | 0.3 | 18 400 | 27 100 | | — | RNA 6902 UU | |
| 22 | 30 | 13 | 0.3 | 10 300 | 13 100 | 8 500 | RNA 4903 UU | — | 23 |
| | 30 | 23 | 0.3 | 19 800 | 30 600 | | — | RNA 6903 UU | |
| 25 | 37 | 17 | 0.3 | 17 900 | 20 500 | 7 500 | RNA 4904 UU | — | 55 |
| | 37 | 30 | 0.3 | 33 000 | 44 500 | | — | RNA 6904 UU | |
| 28 | 39 | 17 | 0.3 | 18 300 | 23 600 | 7 000 | RNA 49/22 UU | — | 56 |
| | 39 | 30 | 0.3 | 33 800 | 52 000 | | — | RNA 69/22 UU | |
| 30 | 42 | 17 | 0.3 | 20 300 | 25 100 | 6 500 | RNA 4905 UU | — | 63 |
| | 42 | 30 | 0.3 | 39 200 | 58 600 | | — | RNA 6905 UU | |
| 32 | 45 | 17 | 0.3 | 21 000 | 26 800 | 6 000 | RNA 49/28 UU | — | 76 |
| | 45 | 30 | 0.3 | 38 900 | 59 100 | | — | RNA 69/28 UU | |
| 35 | 47 | 17 | 0.3 | 21 600 | 28 400 | 5 500 | RNA 4906 UU | — | 71 |
| | 47 | 30 | 0.3 | 40 100 | 63 100 | | — | RNA 6906 UU | |
| 40 | 52 | 20 | 0.6 | 29 300 | 44 100 | 5 000 | RNA 49/32 UU | — | 95 |
| | 52 | 36 | 0.6 | 50 300 | 88 400 | | — | RNA 69/32 UU | |

1) Smallest permissible chamfer dimension.

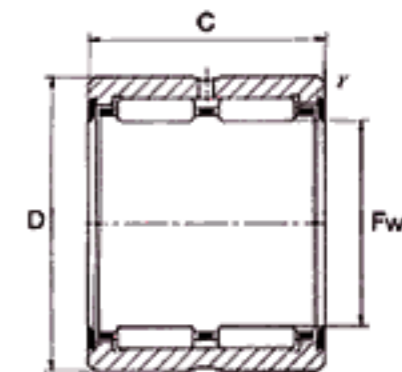
2) Suitable for grease lubrication.

MACHINED RING NEEDLE ROLLER BEARINGS

SEALED, WITHOUT INNER RING



RNA49 UU



RNA69 UU

JNS:RNA49 UU, RNA69 UU SEALED TYPE

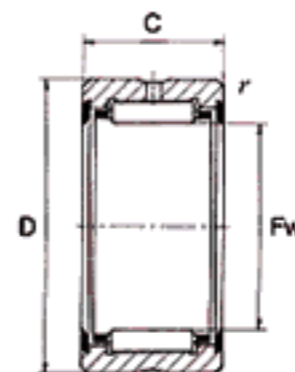
| Fw | Dimensions (mm) | | | Basic dynamic load rating Cr N | Basic static load rating Cor N | Limiting speed rpm ²⁾ | Designation | | Weight g |
|----|-----------------|----|-------------------------|--------------------------------------|--------------------------------------|-------------------------------------|-------------|-------------|-------------|
| | D | C | r_s min ¹⁾ | | | | RNA 49 UU | RNA 69 UU | |
| 42 | 55 | 20 | 0.6 | 30 100 | 46 300 | 4 500 | RNA 4907 UU | — | 110 |
| | 55 | 36 | 0.6 | 51 600 | 92 600 | 4 500 | — | RNA 6907 UU | 200 |
| 48 | 62 | 22 | 0.6 | 37 200 | 58 300 | 4 000 | RNA 4908 UU | — | 150 |
| | 62 | 40 | 0.6 | 63 700 | 116 700 | 4 000 | — | RNA 6908 UU | 270 |
| 52 | 68 | 22 | 0.6 | 38 800 | 63 400 | 3 500 | RNA 4909 UU | — | 190 |
| | 68 | 40 | 0.6 | 66 700 | 126 500 | 3 500 | — | RNA 6909 UU | 355 |
| 58 | 72 | 22 | 0.6 | 41 300 | 71 100 | 3 500 | RNA 4910 UU | — | 180 |
| | 72 | 40 | 0.6 | 70 800 | 142 200 | 3 500 | — | RNA 6910 UU | 320 |
| 63 | 80 | 25 | 1 | 52 200 | 85 700 | 3 000 | RNA 4911 UU | — | 260 |
| | 80 | 45 | 1 | 89 400 | 171 600 | 3 000 | — | RNA 6911 UU | 470 |
| 68 | 85 | 25 | 1 | 54 500 | 92 800 | 3 000 | RNA 4912 UU | — | 280 |
| | 85 | 45 | 1 | 93 500 | 185 300 | 3 000 | — | RNA 6912 UU | 500 |
| 72 | 90 | 25 | 1 | 56 900 | 100 000 | 2 500 | RNA 4913 UU | — | 320 |
| | 90 | 45 | 1 | 97 500 | 200 100 | 2 500 | — | RNA 6913 UU | 570 |
| 80 | 100 | 30 | 1 | 76 900 | 143 200 | 2 500 | RNA 4914 UU | — | 490 |
| | 100 | 54 | 1 | 123 600 | 281 500 | 2 500 | — | RNA 6914 UU | 900 |
| 85 | 105 | 30 | 1 | 79 600 | 153 000 | 2 000 | RNA 4915 UU | — | 510 |
| | 105 | 54 | 1 | 127 500 | 299 100 | 2 000 | — | RNA 6915 UU | 960 |
| 90 | 110 | 30 | 1 | 80 700 | 157 900 | 2 000 | RNA 4916 UU | — | 540 |
| | 110 | 54 | 1 | 132 400 | 316 800 | 2 000 | — | RNA 6916 UU | 1 000 |

1) Smallest permissible chamfer dimension.

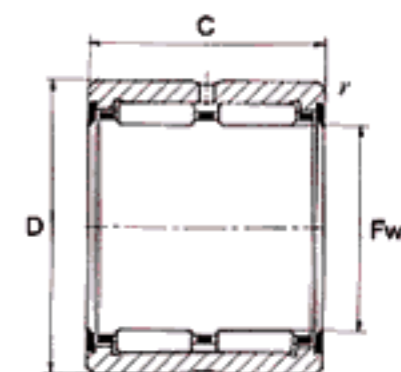
2) Suitable for grease lubrication.

MACHINED RING NEEDLE ROLLER BEARINGS

SEALED, WITHOUT INNER RING



RNA49 UU



RNA69 UU

JNS:RNA49 UU, RNA69 UU SEALED TYPE

| Fw | Dimensions (mm) | | | Basic dynamic load rating Cr N | Basic static load rating Cor N | Limiting speed rpm ²⁾ | Designation | | Weight g |
|-----|-----------------|----|--------------------------|--------------------------------------|--------------------------------------|-------------------------------------|-------------|-------------|-------------|
| | D | C | r 's min ¹⁾ | | | | RNA 49 UU | RNA 69 UU | |
| 100 | 120 | 35 | 1.1 | 103 000 | 225 600 | 1 900 | RNA 4917 UU | — | 690 |
| | 120 | 63 | 1.1 | 167 700 | 447 200 | 1 900 | — | RNA 6917 UU | 1 250 |
| 105 | 125 | 35 | 1.1 | 105 900 | 237 300 | 1 800 | RNA 4918 UU | — | 720 |
| | 125 | 63 | 1.1 | 172 600 | 470 700 | 1 800 | — | RNA 6918 UU | 1 360 |
| 110 | 130 | 35 | 1.1 | 109 800 | 250 100 | 1 700 | RNA 4919 UU | — | 750 |
| | 130 | 63 | 1.1 | 176 500 | 493 300 | 1 700 | — | RNA 6919 UU | 1 430 |

1) Smallest permissible chamfer dimension.

2) Suitable for grease lubrication.